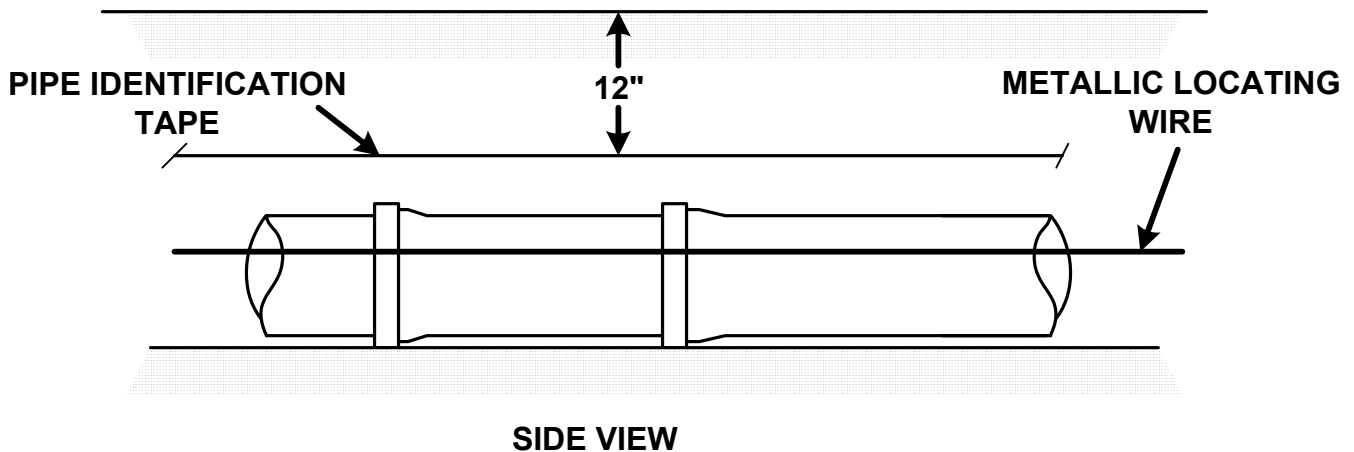
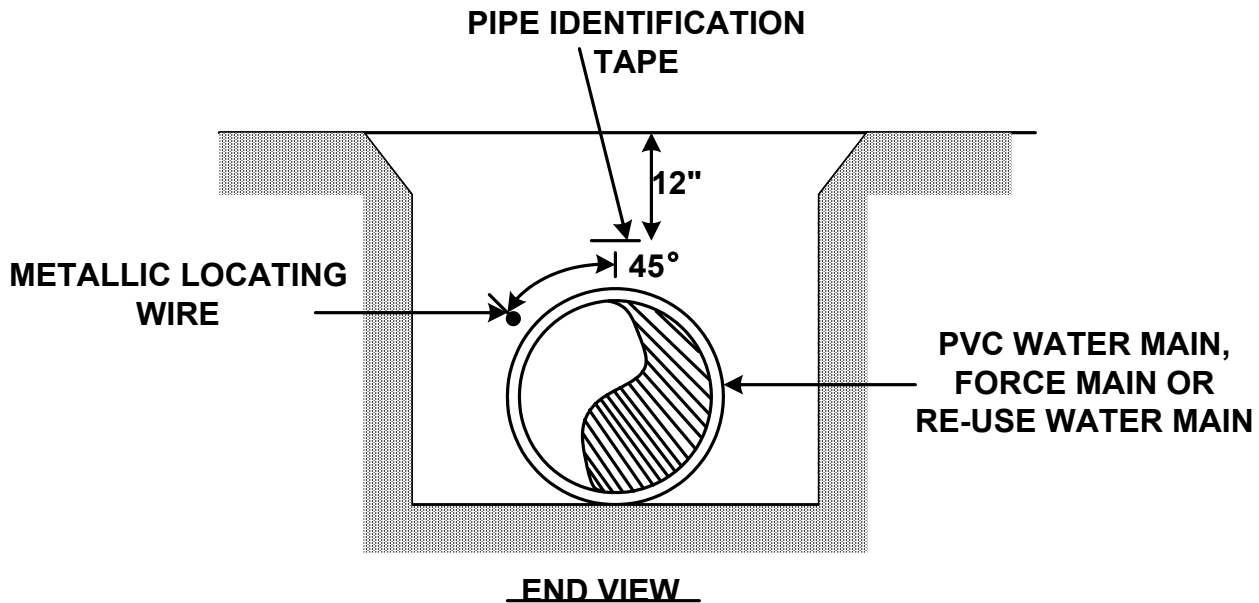


# CITY OF AUBURNDALE

## PVC PIPE LOCATING WIRE DETAIL



### NOTES:

1. ALL PRESSURE PIPE SHALL REQUIRE INSULATED METALLIC LOCATING WIRE (14 GAUGE COPPER) CAPABLE OF DETECTION BY A CABLE LOCATOR AND SHALL BE BURIED DIRECTLY AGAINST THE PIPE.
2. LOCATING WIRE SHALL TERMINATE AT THE TOP OF EACH VALVE BOX AND BE CAPABLE OF EXTENDING 12" ABOVE TOP OF BOX IN SUCH A MANNER SO AS NOT TO INTERFERE WITH VALVE OPERATION.
3. USE DUCT TAPE AS NECESSARY TO HOLD WIRE DIRECTLY AGAINST THE PIPE.
4. ALL PRESSURE PIPE SHALL REQUIRE 3" ALUMINUM FOIL IDENTIFICATION TAPE INDICATING MATERIAL CONTAINED WITHIN PIPE (E.G... POTABLE WATER, REUSE WATER, RAW SEWAGE). TAPE SHALL BE BURIED DIRECTLY ABOVE THE CENTERLINE OF PIPE, AND UNBROKEN THE ENTIRE RUN OF PIPE.