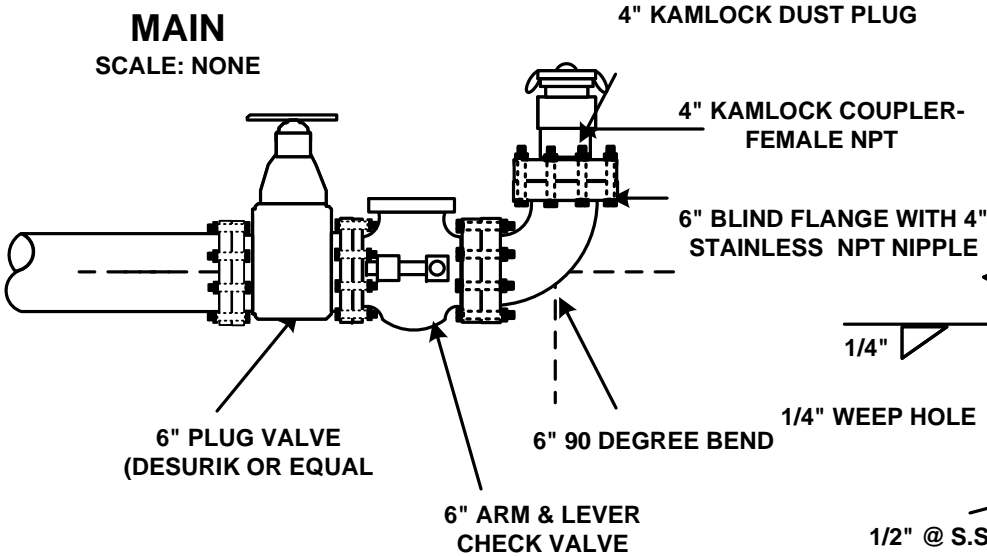


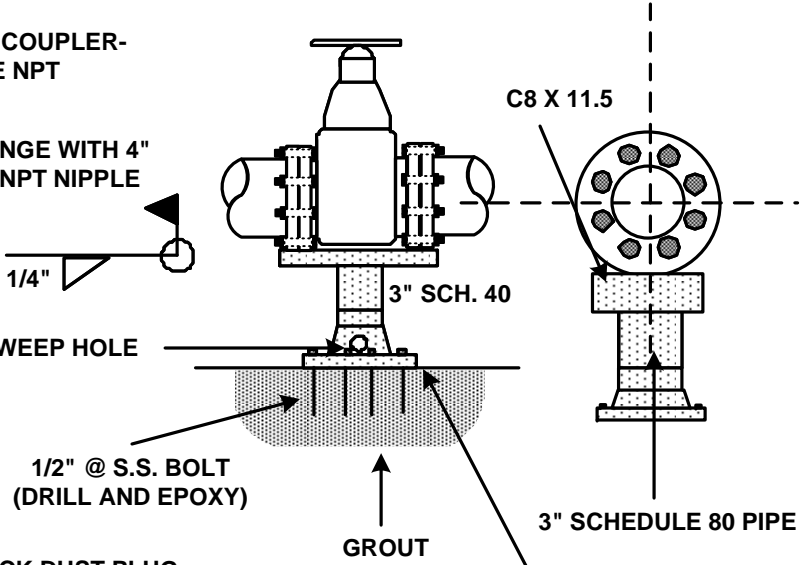
CITY OF AUBURNDALE EMERG. PUMP-OUT & PIPE SUPPORT DETAILS

EMERGENCY PUMP- OUT FOR 6" FORCE MAIN

SCALE: NONE



PIPE SUPPORT DETAIL SCALE: NONE



EMERGENCY PUMP- OUT FOR 4" FORCE MAIN

SCALE: NONE

