

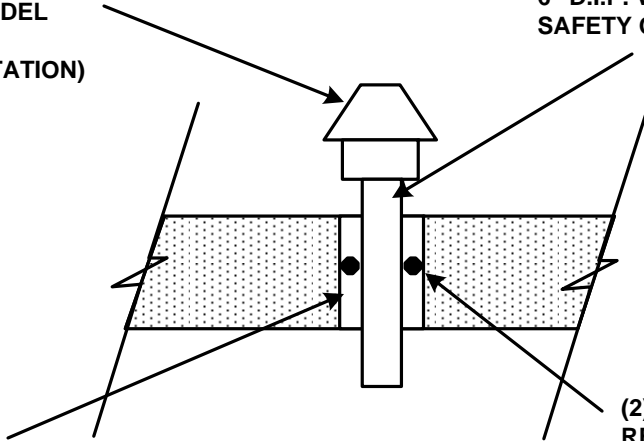
CITY OF AUBURNDALE WET WELL VENT

SCALE: NONE

6" VANDAL PROOF HOODED
VENT CAP "JASAM" MODEL
J26706
(SEE PLAN FOR ORIENTATION)

6" D.I.P. VENT PIPE PAINT
SAFETY ORANGE

NON-SHRINK GROUT



(2) 1 1/2" LONG #4
REINFORCING BARS WELDED
TO PIPE FOR ANCHORING

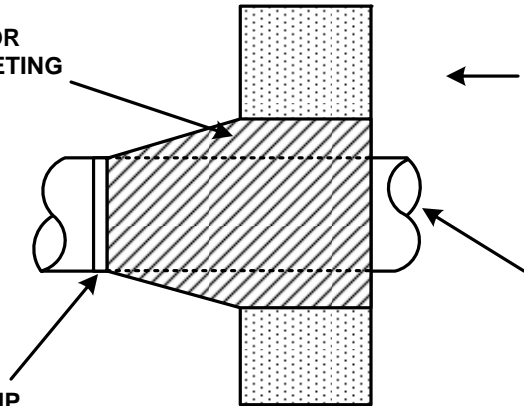
CITY OF AUBURNDALE RESILIENT BOOT CONNECTION

SCALE: NONE

PSX RESILIENT BOOT OR
APPROVED EQUAL MEETING
ASTM C923

← STRUCTURE WALL

S.S. TAKE-UP CLAMP



1-1/2" S.S. POWER SLEEVE