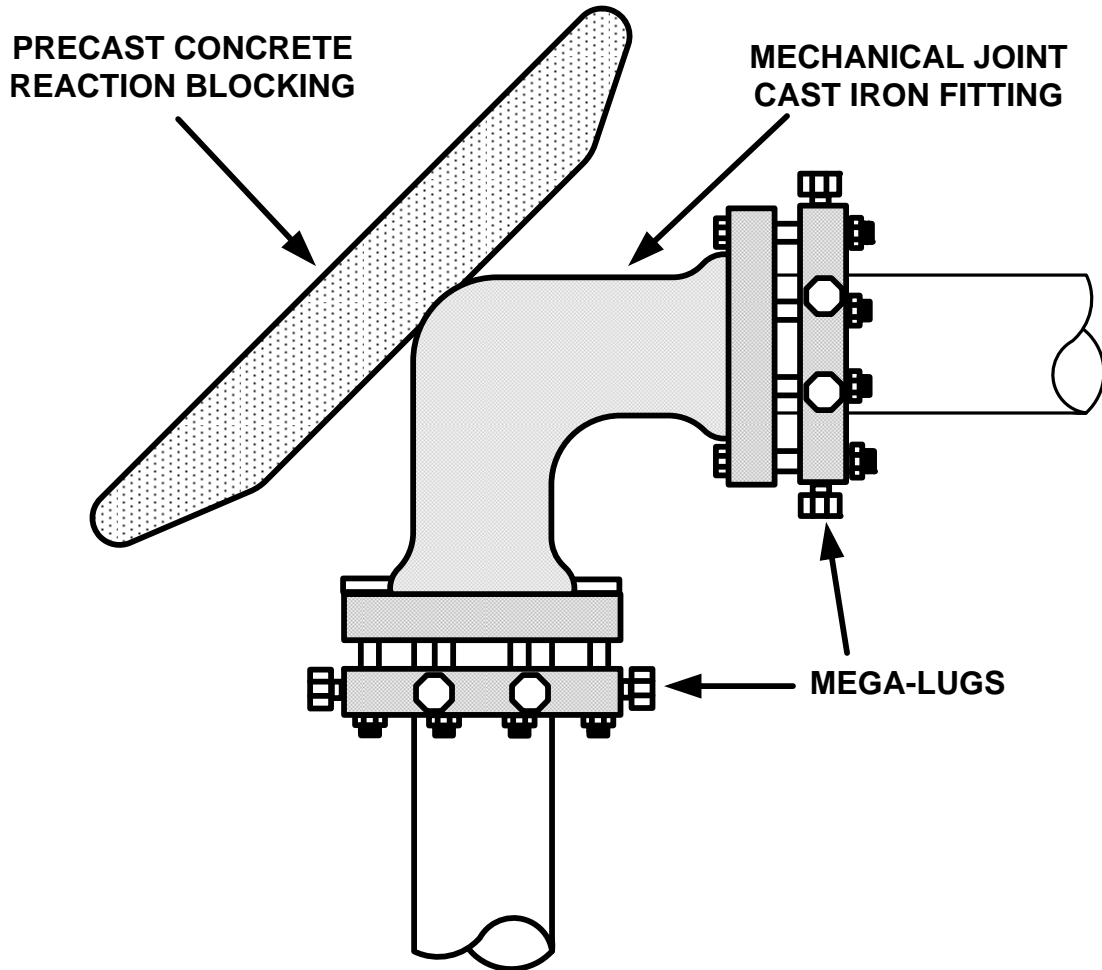


**CITY OF AUBURNDALE
TYPICAL RESTRAINING CLAMPS AND
RODS**

(use for all bends and tees)



**PRECAST CONCRETE REACTION BLOCKING MUST
BE USED UNLESS PIPES ARE RESTRAINED AT LEAST
3 JOINTS BACK FROM FITTING IN ALL DIRECTIONS.**